

# TCG2015

Heavy Duty Gas Engines. 220 and 322 HP (164 and 240 kW) at 1,900 rpm



The engine company.  **DEUTZ**<sup>®</sup>

# Characteristics

Modern water-cooled 90° V6 and V8 engines | Turbocharged with charge air cooling | 24V electric starter with charging alternator | Fully assembled and wired ignition system | Solid-state engine controller | Programmable speed controller | Engine-mounted dry-type air cleaner and turbocharger | Wet exhaust manifold for combined heat and power (CHP) applications | Engine gas train includes shut off valve, pressure regulator, fuel trim valve, Venturi mixer and throttle | SAE 1 flywheel housing | SAE 14" flywheel | Engine-mounted control panel with safety shutdowns for low oil pressure & high engine temperature | Flexible engine mounts, secured to a wooden transport frame for ease of installation

## Your Benefits

- Single cooling circuit: water-to-air charge air cooling enables one water radiator to cool the entire engine.
- Water-cooled exhaust manifolds and turbocharger provide Combined Heat and Power (CHP) capability.
- Compact engine design allows reduced space requirements for lower installation costs.
- Individual cylinder heads facilitate quick and cost-efficient repairs.
- Wet cylinder liners: easy overhaul ensures extended life cycle and lowered operating costs
- Gear-driven fan hub eliminates fan belt requirement for lower life cycle cost
- Flexible cooling options:
  - Water-To-Air Radiator (Heat Exchanger)
  - Water-To-Water Heat Exchanger
- Common turbocharger and charge air cooler for V6 and V8 models

## Engine Specifications

<b>Cooling system:</b>	Liquid cooling
<b>Crankcase:</b>	Crankcase of grey cast iron with wet liners
<b>Crankcase breather:</b>	Closed-circuit system, vacuum-controlled
<b>Cylinder head:</b>	Individual cylinder heads, grey cast iron, crossflow design
<b>Valve arrangement/timing:</b>	Overhead valves in cylinder head, four-valve technology, actuated via tappets, pushrods and rocker arms, driven by gears and central camshaft
<b>Turbocharging:</b>	Single turbocharger and charge air cooler
<b>Piston:</b>	Three-ring pistons
<b>Piston cooling:</b>	Oil-cooled with spray nozzles
<b>Connecting rod:</b>	Drop-forged steel rod with trapezoidal piston pin support
<b>Crankshaft:</b>	Drop-forged steel crankshaft with bolted counterweights
<b>Main and big end bearings:</b>	Tri-metal plain bearings
<b>Camshaft:</b>	Steel camshaft
<b>Lubrication system:</b>	Forced-feed circulation lubrication with gear pump
<b>Engine oil cooler:</b>	Integrated
<b>Lubricating oil filter:</b>	Paper-type microfilter as replaceable cartridge, full-flow filter.
<b>Alternator:</b>	Three-phase alternator, 28 V / 55 A
<b>Starter motor:</b>	24 V / 5.5 kW

# Technical Data

## TCG 2015 V6

## TCG 2015 V8

### General Data

Number of Cylinders		6	8
Cylinder arrangement		V, 90°	V, 90°
Aspiration		Turbocharged with charge air cooler	
Total displacement	Litre   in <sup>3</sup>	11.9   726.5	15.9   968.7
Weight, dry	lb   kg	2,194   995	2,844   1,290

### EPA Certified and non-EPA Certified Power Ratings<sup>1)</sup>

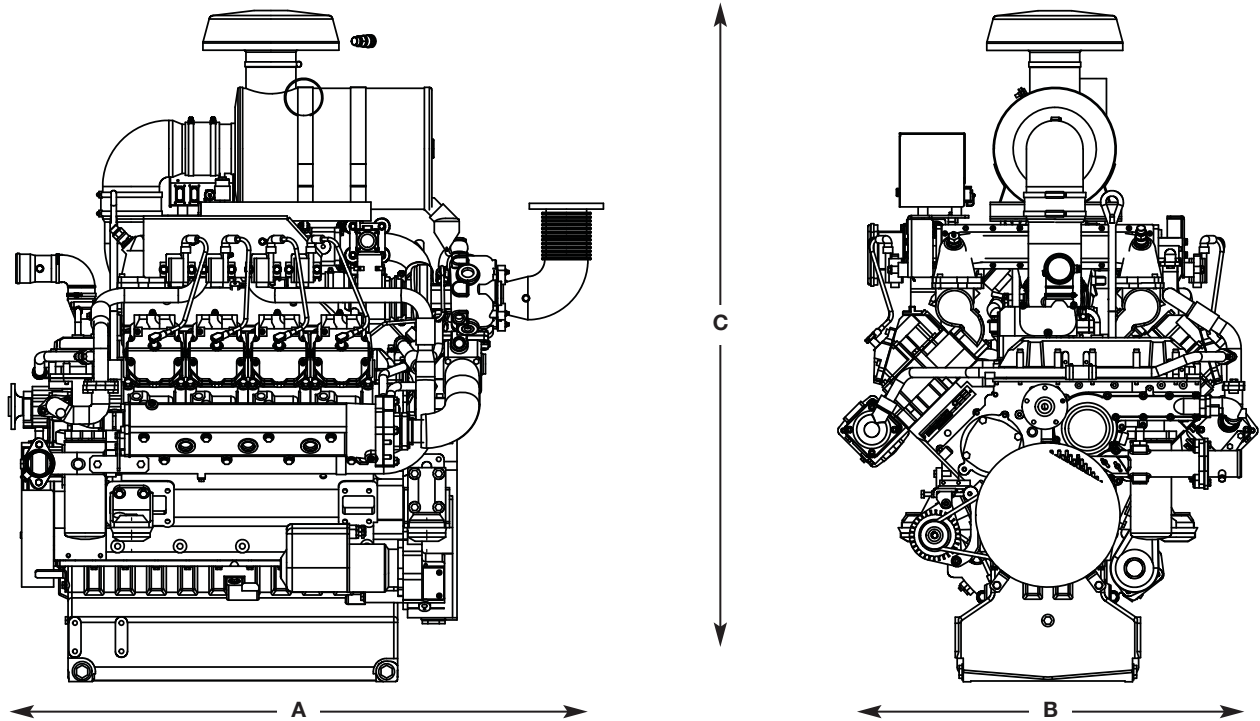
Maximum output <sup>2)</sup>	hp   kW	241   180	322   240
At engine speed	rpm	1,800	1,900
Low idle speed	rpm	800	800
Peak torque at 1,500 rpm	NM   lb-ft	1043   769.2	1400   1,032.4
Fuel consumption	kWh   kWh btu   BHPH	2.91 7,401	2.91 7,586

Fuel Type Dry natural Gas, minimum Methane number > 70 %

<sup>1)</sup> Certified according to EPA for Natural Gas (SI-Engines) for stationary use

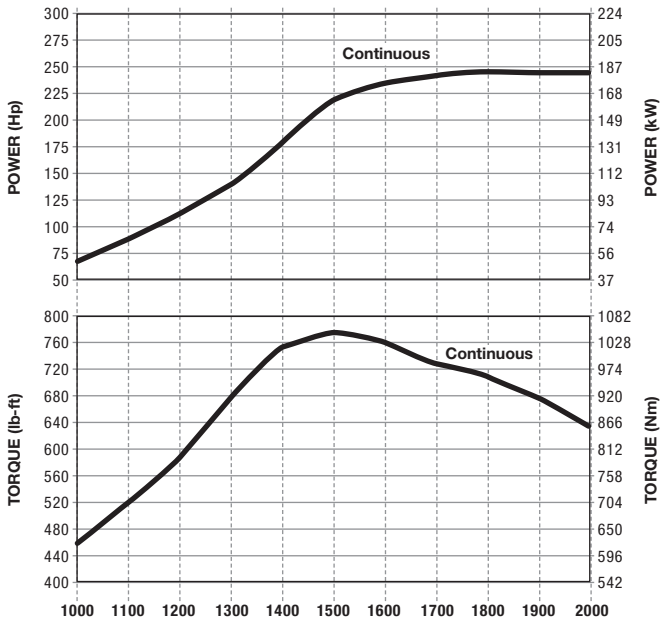
<sup>2)</sup> Gross power, continuous

### Dimensions

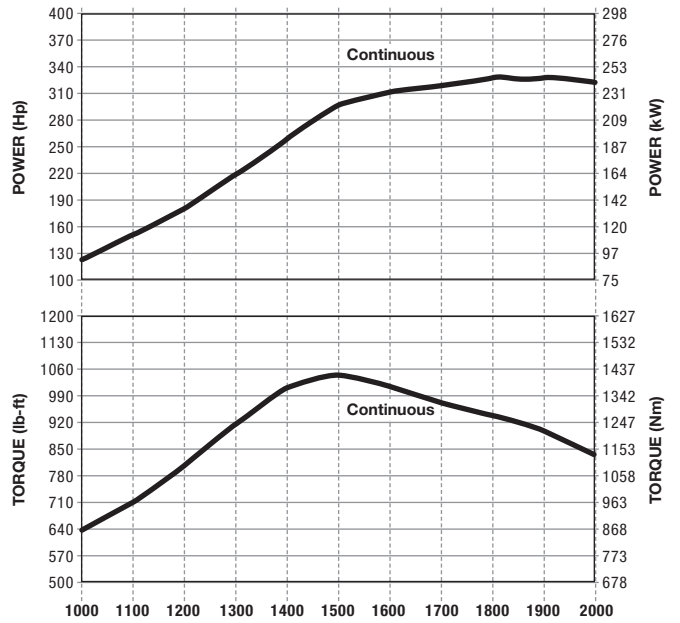


		TCG 2015 V6	TCG 2015 V8
A	mm   in	1,039   40.9	1,153   45.4
B	mm   in	935   36.8	955   37.6
C	mm   in	1,174   46.2	1,174   46.2

TCG 2015 V6



TCG 2015 V8



DEUTZ Corporation  
 3883 Steve Reynolds Blvd  
 Norcross, GA 30093  
 Phone (770) 564-7100  
 E-mail: engines@deutzusa.com  
 www.deutzamericas.com